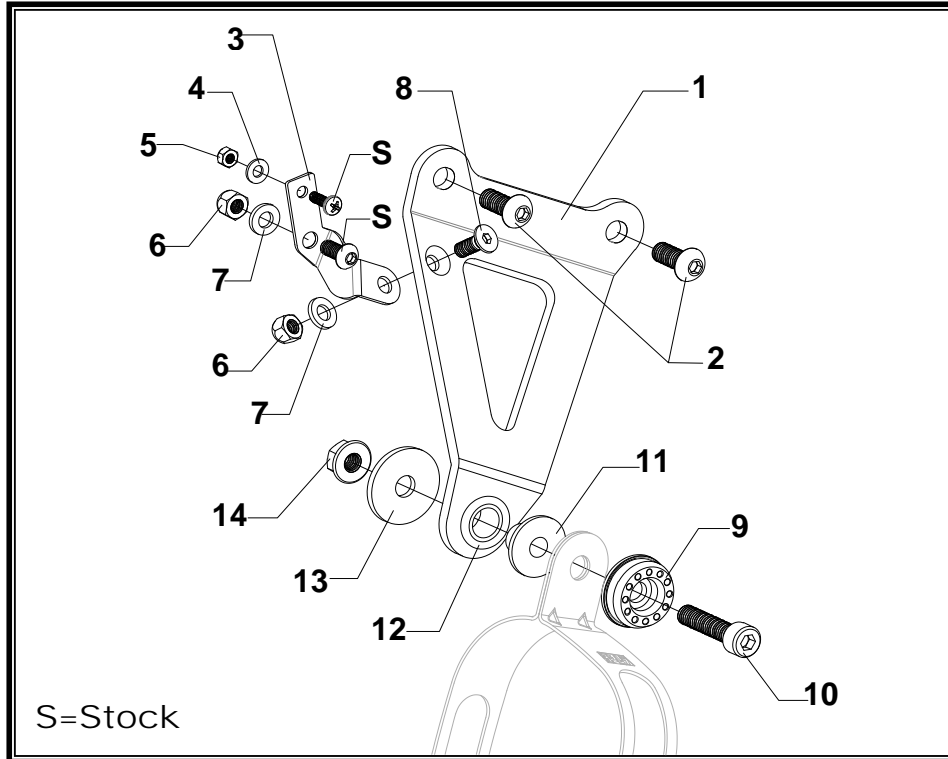




# ALUMINUM MUFFLER BRACKET

APPLICATION

YEAR	MODEL
2013-2014	Kawasaki Ninja 300
PRODUCT	
14700AB	Ninja 300 Aluminum Muffler Bracket Kit



No.	Part #	Description	Qty
1	14700AB-B	Yoshimura Aluminum Muffler Bracket	1
2	M8X20BHS	8mm x 20mm Button Head Screw	2
3	14700AB-BKT	Reservoir Bracket	1
4	4MMWASHER	4mm Washer	1
5	4MMLOCKNUT-N	4mm Nylon Lock Washer	1
6	6MMLN	6mm Nylon Lock Nut	2
7	6MMWASHER	6mm Washer	2
8	M6X16FS	6mm x 16mm Flat Head Allen Screw	1
9	M8X35	8mm x 35mm Socket Head Cap Screw	1
10	M8ALCSW-00	8mm Counter Sink Washer	1
11	ALS-003	Aluminum Spacer	1
12	Z1022	Rubber Grommet	1
13	8MMWASHERXL	8mm XL Washer	1
14	8MMNUT	8mm Flange Nut	1
**	17029	Yoshimura Sticker Sheet	1